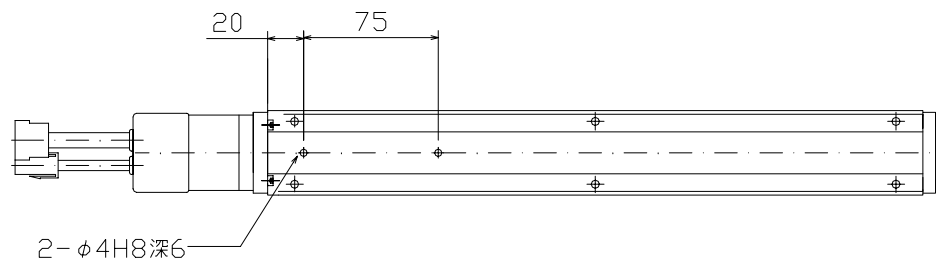
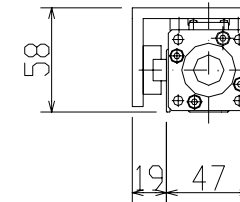
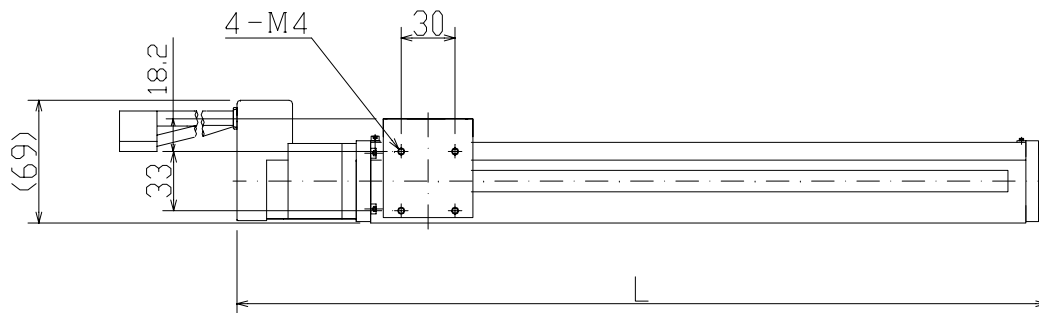


	L	L1	L2
50st	201	85	
100st	251	135	
150st	301	185	
200st	351	117.5	117.5
300st	451	167.5	167.5



REMARKS

PARTS CODE		REVISION	
MATERIAL**	APPROVED	DATE '06/01/25	QTY. * / UNIT
HEAT TREATMENT H _R C ~	CHECKED	MACHINE 機種 SCLL5	
SURFACE TREATMENT **	DRAWN 藤田	SUBJECT 名称 ガイド付き全体図	
SCALE 1/3		DRAWING NO. 図面番号 SCLL5-00-06	